

## ULTRASONIC AROMA DIFFUSER ALVEO



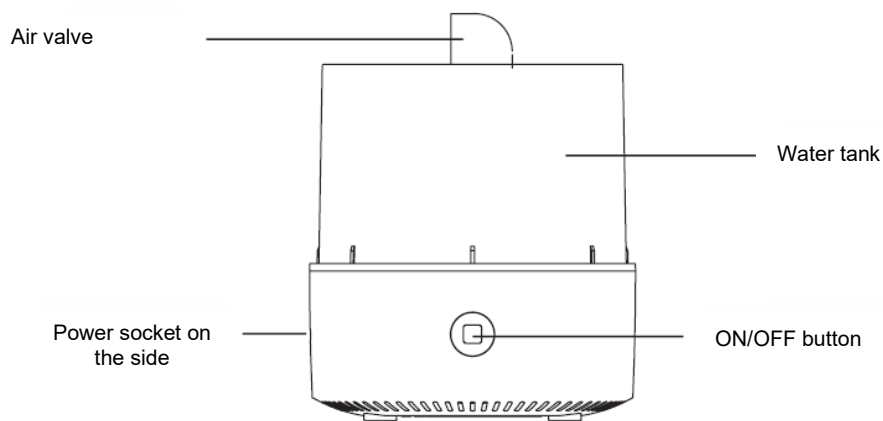
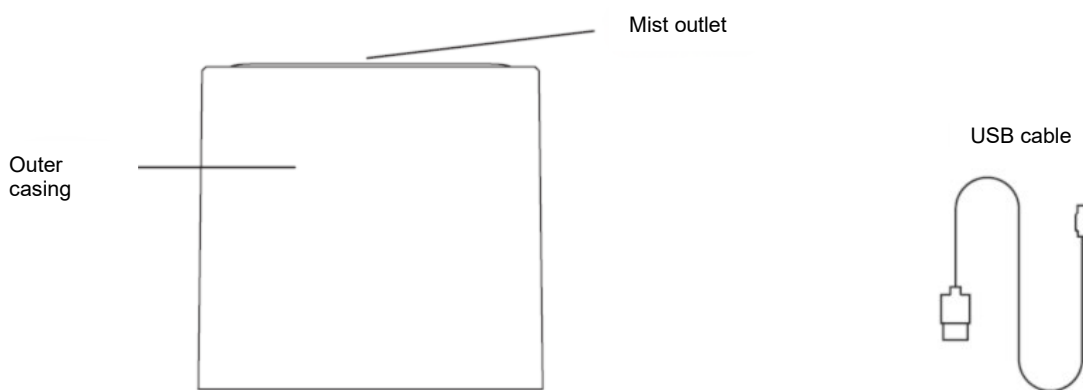
### User Manual

#### Product Description

**Aroma diffuser** combines elements of traditional oriental culture with the latest knowledge and technologies of modern science. Using ultrasonic technology, it breaks down water and essential oils into a fine mist of micro-particles, which is released into the air along with active ingredients and anions. This technology does not heat the essential oils, thus preserving their full therapeutic effects. The diffuser naturally scents and humidifies the environment, promotes relaxation, quality sleep, concentration, and overall well-being, whilst also helping to neutralise undesirable odours indoors.

## Specifications

Product: Portable and rechargeable aromatherapy diffuser  
Material: ABS + PP (without BPA)  
Dimensions: 88 mm (w) x 125 mm (h)  
Weight: Approx. 300 g  
Power supply: USB rechargeable 4000 mAh battery  
Charging: Charger voltage/current 5V/1A (not included in the accessories)  
Power consumption: Approximately 5 W  
Volume of reservoir: 150 ml  
Noise level: Ultrasonic vibration at approx. 3 MHz  
LED light: 1 light, 7 colours  
Accessories: USB cable, user manual



## Warning

Before using this appliance, please read the following safety instructions carefully. The safety precautions below are intended to prevent injury to yourself and others or to prevent damage to the product.



### **DANGER OF ELECTRIC SHOCK**

- Only plug the appliance into a mains socket installed according to regulations, with a voltage corresponding to the rated voltage stated on the type plate.
- The appliance must not be immersed in liquid under any circumstances. Do not expose the appliance to moisture or use it outdoors. If liquid does get into the appliance, immediately unplug the appliance from the mains socket and have the appliance repaired by qualified personnel.
- In the event of operational faults and before cleaning the appliance, unplug it from the mains socket.
- When unplugging from the socket, do not pull the cable.
- Do not wrap the mains connection cable around the appliance and protect it from damage.
- If the power cable of this appliance becomes damaged, it must be replaced by the manufacturer, its customer service, or a professionally qualified person to prevent hazards.
- Do not bend or compress the mains connection cable and lay it so that no one can step on it or trip over it.
- Never touch the appliance, mains cable, or plug with wet hands.
- Immediately after use, disconnect the appliance from the electrical mains. Only when the mains plug is removed from the mains socket is the appliance fully disconnected from the power.
- You must not repair the casing of the appliance. In such a case, safety is not guaranteed and the warranty becomes void. Have a faulty appliance repaired only by authorised specialist personnel.
- Ensure that the mains cable is not wet or damp during operation.



Never use the appliance near water, especially not near washbasins, bathtubs, and similar containers. Proximity to water poses a danger, even when the appliance is switched off.



**WARNING!** Failure to follow this safety instruction will result in an accident. This may result in minor or severe injury.

-

### **Safety Instructions**

- Use only pure essential oils; we recommend BEWIT essential oils.
- Never exceed the maximum water level mark.
- Only use clean water. Do not use mineral water, sparkling water, etc.
- Do not switch on the appliance when the tank is empty.
- Do not cover the air inlet at the base of the diffuser.
- Do not scratch the ultrasonic vibrating plate.
- Regularly clean the appliance according to the instructions to prevent malfunctions.
- Always unplug the appliance from the power supply before maintenance.
- After each use, pour out any remaining water from the opposite side of the air outlet and rinse the tank.

- If you are not using the diffuser for an extended period, empty the water from the tank and dry it.
- Essential oils can leave stains. In case of spillage, wipe immediately with a soft cloth. Only use the measuring cup to refill the water tank.
- Never refill water directly from the tap.
- Do not direct the mist directly onto furniture, clothing, walls, etc.
- Keep away from direct sunlight, heat sources, air conditioning or fans.
- Keep away from electronic devices.
- Always place on a stable, flat surface. Do not place on carpet, a bed or any unstable surfaces.
- Do not tilt the diffuser during use. Water could enter the mechanism and cause it to malfunction.
- Never move the unit during use. Do not touch any part of the diffuser with wet hands.
- Keep out of reach of children and pets.
- Keep the cable away from busy areas and do not pull it forcefully.
- If the USB cable smokes or burns, disconnect it immediately.



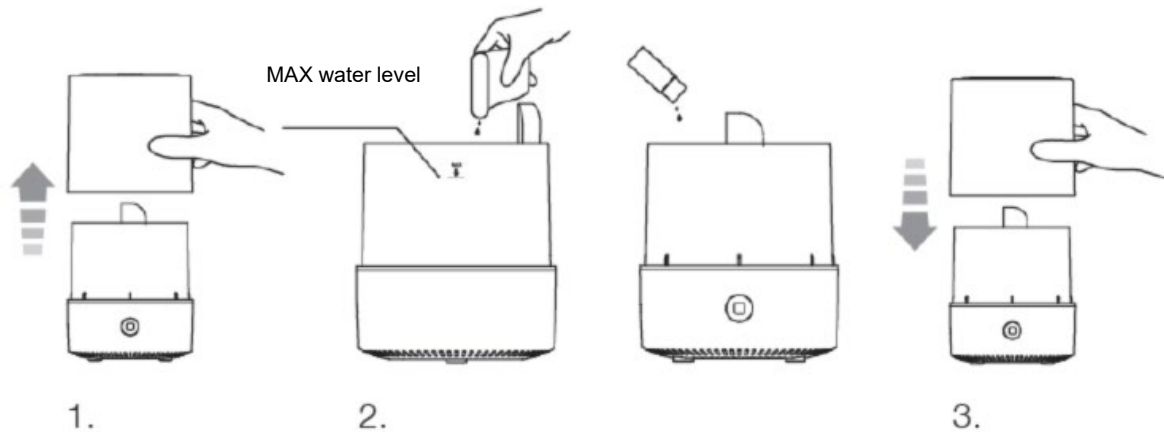
**WARNING!** Failure to observe this safety instruction may lead to an accident. This could result in minor or serious injury.

The manufacturer is not responsible for damage caused by improper use of the product.

- This appliance is not intended for use by persons (including children) with reduced physical, sensory or mental capabilities, or lack of experience and knowledge, unless they are under constant supervision or have been instructed on the use of the appliance by a person responsible for their safety.
- Use in an environment with a temperature between 10 °C and 30 °C.
- The device must only be used with the supplied power adapter.
- Do not disassemble, modify, or heat the appliance. Do not cut, damage, modify, or strain the power cord. This could result in electric shock or fire.
- **Only use** clean cold water (bottled or tap).
- **Never** exceed the maximum water level. Always pour in water before adding essential oils. Use a measuring cup or other container to refill – do not fill the tank directly from the tap.
- **Only put** water with essential oil into the tank. Any other liquids may permanently damage the device or be harmful if inhaled.
- If the device smokes, emits a strange odour, or any unusual situation occurs, stop using it immediately.
- Do not touch any part of the device with wet hands.
- Do not let the mist spray directly onto furniture, clothing, or walls. **Essential oil can cause staining. We recommend using only BEWIT essential oils.** In case of accidental spillage, use a clean cloth. **Internal use of essential oil is forbidden!**
- Do not cover the device with anything during operation.

### Instructions for use

1. Place the diffuser in an upright position and remove the outer cover.
2. Fill the water tank with clean water.  
Do not exceed the maximum water level indicated on the water tank. Do not refill water during operation. Add 3–5 drops of pure essential oil to the water tank.
3. Fit the outer cover.



### Diffuser controls

- **Switching on:** Press the ON/OFF button once; mist will start to be released and the light will illuminate, gradually changing colours.
- **To select a colour:** Once the light reaches your preferred colour, hold the ON/OFF button for 3 seconds to select the colour.
- **Switching off the device:** Double press the ON/OFF button to switch off the mist and lights. The diffuser will automatically switch off when the water level is too low.
- **Charging:** Connect the diffuser to a power source using the supplied USB cable. When you look inside the diffuser, you will see an indicator light.

### Care and Maintenance

After each use, follow the steps below to clean the diffuser:

- Before cleaning, switch off the device and unplug it (if charging).
- Pour out any remaining water from the side opposite to the air outlet. Pour warm water into the reservoir and add a few drops of mild detergent. Gently clean with a soft cloth. (Never use acids or enzymatic cleaners.)
- Clean the ultrasonic vibrating plate gently with a cotton bud.
- Wipe the exterior of the diffuser with a soft, dry cloth.
- Pour out the cleaning solution. Rinse the reservoir with clean water and dry with a clean towel.

### Cleaning the Cover

Clean the cover with a soft, damp cloth (remember to remove dust from the ventilation hole).

### Accidental Water Entry

In the event that the diffuser is knocked over or tilted during operation, follow these steps to prevent malfunction:

1. Switch off the diffuser, unplug it (if charging), and remove the cover.
2. Pour out any remaining water from the side opposite to the air outlet.
3. Gently shake the device to remove water from the internal mechanism, and allow it to dry for 24 hours before further use.

## WARNING:

Never immerse the device in water or allow water to enter the air outlet.

## Troubleshooting

Problem	Solution
No power	Only charge the diffuser with the supplied USB cable.
Water leakage	Always ensure all covers are correctly fitted. Check that the device has not been knocked over. If the temperature is too low or the humidity is too high, the mist may condense and form water droplets.
No mist / irregular mist	Wipe the mist outlet with a clean cloth or cotton bud to ensure it is not blocked. Ensure the water level does not exceed the maximum line; if it does, remove the excess. Follow the instructions for accidental water ingress in the Maintenance section to ensure water has not entered the internal parts of the device.



### Disposal at the end of the device's life

This product must not be disposed of as ordinary municipal waste. At the end of its life, hand it over to a collection point or a designated recycling facility for electrical and electronic equipment, in accordance with applicable legal regulations. Proper disposal helps protect the environment and the health of people.

Dispose of product packaging (paper, plastic) in accordance with local waste sorting regulations.

## Warranty

This product was strictly tested before leaving the manufacturer. During the statutory warranty period from the date of purchase, the customer may request a free repair or replacement due to faults arising from normal use. If necessary, please contact the product seller. The warranty does not cover faults resulting from accidents, improper use, or maintenance.

### What can affect your warranty?

The warranty may be affected by issues not caused by a manufacturing defect, for example: Water ingress or spillage inside the appliance (for example, if water is poured from the wrong side instead of the designated drainage hole). Damaged or broken parts. Limescale deposits or stains. Worn or oxidised components.

Use of synthetic or unsuitable oils that may impair the proper functioning of the device.



BEWIT Natural Medicine, s.r.o.  
Michalská 2030, 710 00 Ostrava  
Czech Republic  
Tel.: +420 552 305 105  
Email: [info@bewit.love](mailto:info@bewit.love)